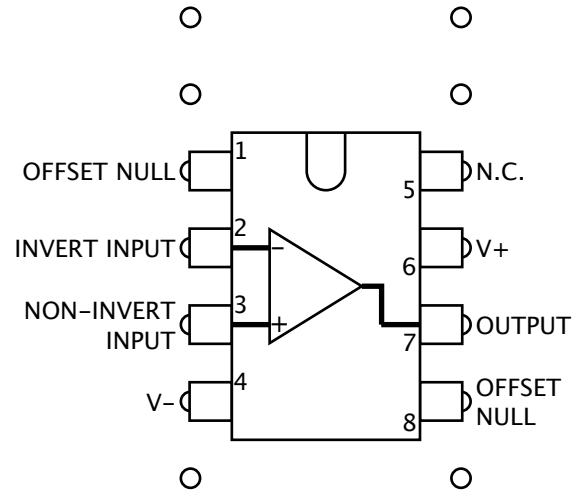
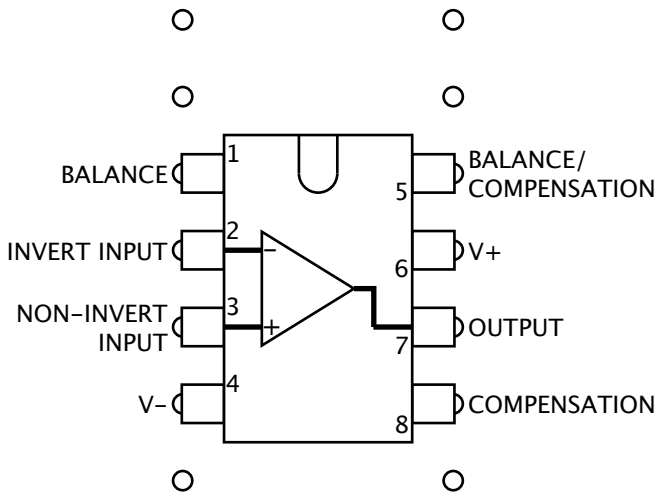


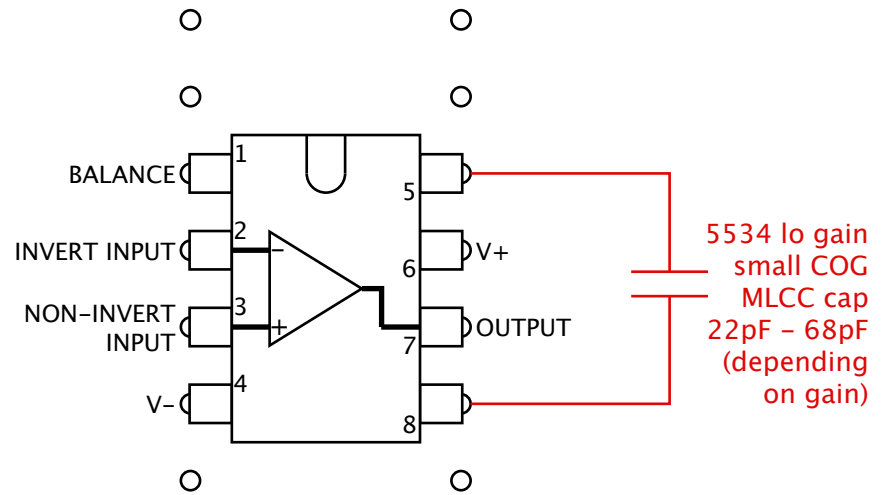
14 pin 741 opamp



8 pin 741 opamp



8 pin 5534A opamp



8 pin 5534A opamp with comp cap