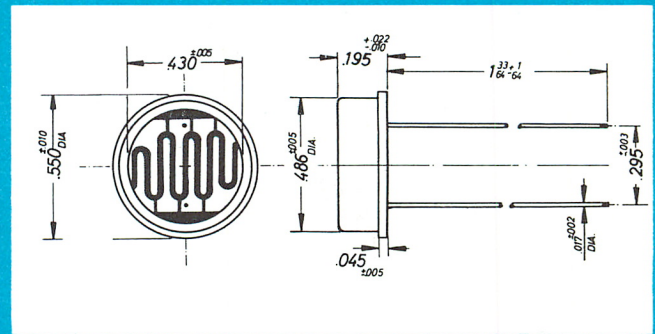


# CL-5M SERIES

HERMETICALLY SEALED TO-8 CASE



- 8 Types
- Maximum Power – Air: 1/2 Watt
- Maximum Power – Heat Sink: 2 Watts
- Resistance Tolerance at 2 ft-c:  $\pm 33\frac{1}{3}\%$
- 5 Photoconductive Materials
- Temperature Range:  $-50^{\circ}\text{C}$  to  $+75^{\circ}\text{C}$



TYPE	Sensitive Material	Peak Spectral Response (Angstroms)	Resistance @ 2 ft-c (Ohms)	Min. Dark Resistance 5 sec. After 2 ft-c	Maximum Voltage Rating (Peak A.C.)	Measurement Voltage
CL5M2	Type 2 CdS	5150	55K	3.6 Meg	250V	10V
CL5M2L			9K	600K	170V	12V
CL5M3	Type 3 CdSe	7350	7.2K	48 Meg	250V	12V
CL5M4	Type 4 CdSe	6900	1.5K	400K	250V	10V
CL5M4L			.25K	67K	170V	1.35 V
CL5M5	Type 5 CdS	5500	9K	600K	250V	12V
CL5M5L			1.5K	100K	170V	10V
CL5M7	Type 7 CdS	6150	7.2K	1.4 Meg	250V	12V

MEASUREMENT DATA • All measurements at 2854°K • Cells light adapted 16 hrs. at 30 ft-c prior to test  
 • Measurement voltage is D.C. applied voltage for measuring resistance • All readings made at 25°C ambient.



## CLAIREX ELECTRONICS

A DIVISION OF CLAIREX® CORPORATION

560 South Third Avenue, Mount Vernon, N.Y. 10550 • (914) 664-6602