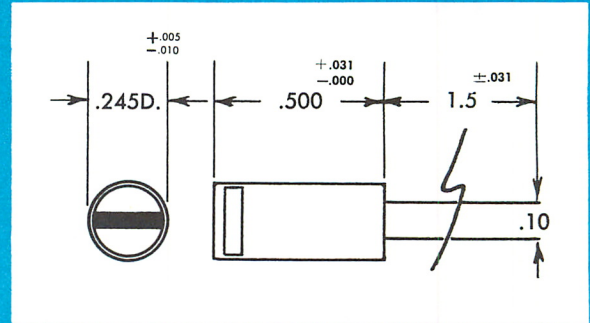


CL-600 SERIES

HERMETICALLY SEALED 1/4" DIAMETER GLASS CASE

- 11 Types
- Maximum Power: 75mw @ 25°C
- Resistance Tolerance at 2 ft-c: ± 33 1/3%
- 5 Photoconductive Materials
- Temperature Range: -50°C to +75°C



TYPE	Sensitive Material	Peak Spectral Response (Angstroms)	Resistance @ 2 ft-c (Ohms)	Min. Dark Resistance 5 sec. After 2 ft-c	Maximum Voltage Rating (Peak A.C.)	Measurement Voltage
CL602	Type 2 CdS	5150	1 Meg	66.7 Meg	300V	100V
CL603	Type 3 CdSe	7350	133K	880 Meg	300V	50V
CL603A			75K	500 Meg	300V	50V
CL603AL			3.5K	23 Meg	170V	8V
CL604	Type 4 CdSe	6900	30K	8 Meg	300V	20V
CL604M			7.5K	2 Meg	250V	10V
CL604L			1.5K	400K	170V	5V
CL605	Type 5 CdS	5500	166K	11 Meg	300V	60V
CL605L			7.5K	500 K	170V	10V
CL607	Type 7 CdS	6150	133K	27 Meg	300V	50V
CL607L			3.5K	700K	170V	8V

MEASUREMENT DATA • All measurements at 2854°K • Cells light adapted 16 hrs. at 30 ft-c prior to test
 • Measurement voltage is D.C. applied voltage for measuring resistance • All readings made at 25°C ambient.



CLAIREX ELECTRONICS

A DIVISION OF CLAIREX® CORPORATION

560 South Third Avenue, Mount Vernon, N.Y. 10550 • (914) 664-6602