

F A I R C H I L D
DUAL LINE AMPLIFIER

MODEL 692LA-30

1B692LA-30/2/71

INSTRUCTION MANUAL

FAIRCHILD MODEL 692/LA30 DUAL LINE AMPLIFIER

GENERAL

The MODEL 692LA/30 is a dual line amplifier designed to deliver one watt of power into a 150 ohm resistive load (+24db). With optional step up transformer, it will deliver a maximum of +30dbm. The set of low distortion line amplifiers utilize silicon transistors arranged in a complementary symmetry type output. The unit can be used in consoles as an output amplifier or in any application where a large headroom factor is desired.

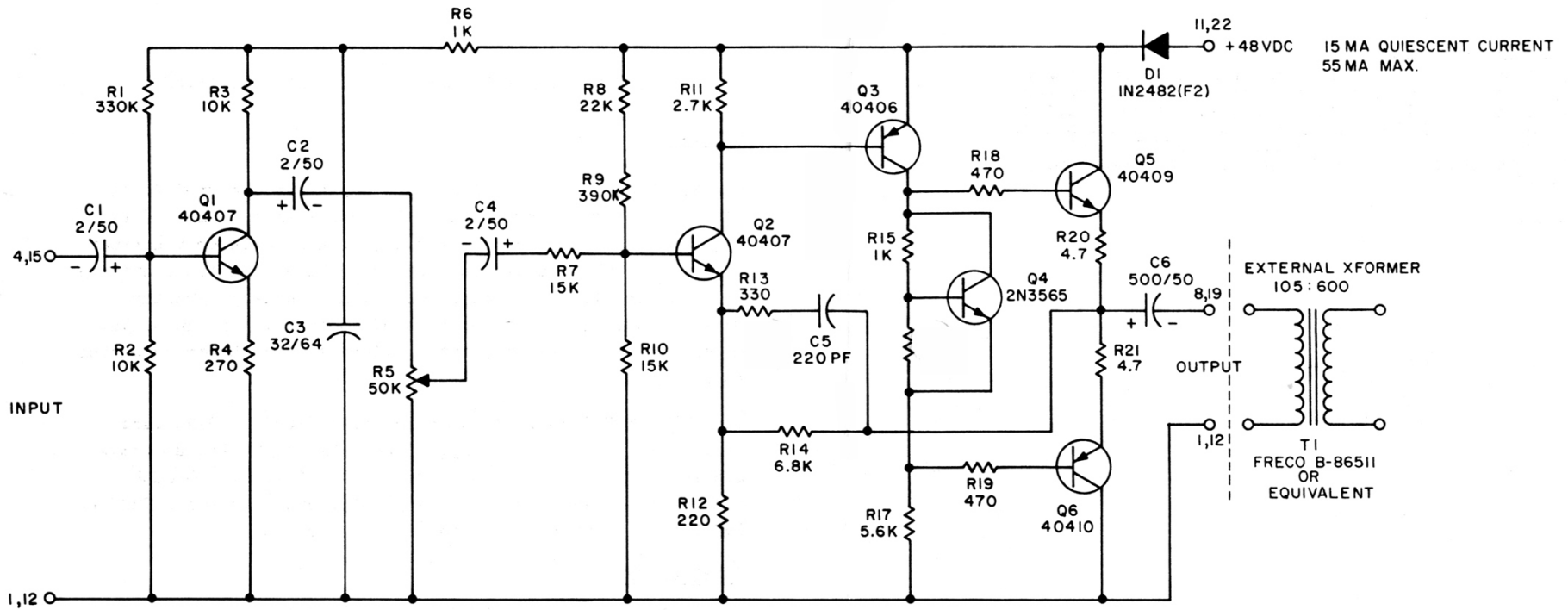
The MODEL 692LA/30 will mount in the FAIRCHILD 692RM card rack file (or any other type of suitable card file system). Single cards can be accommodated in the FAIRCHILD 692SCH single card holder, which in turn will mount in the FAIRCHILD 662RM rack mounting frame for 19" rack space.

CONNECTIONS

PIN	1	Audio & power ground (Amp. 1)
	4	Audio input (Amp. 1)
	8	Audio output (Amp. 1)
	11	+48VDC (Amp. 1)
	12	Audio & power ground (Amp. 2)
	15	Audio input (Amp. 2)
	19	Audio output (Amp. 2)
	22	+48VDC (Amp. 2)

SPECIFICATIONS

GAIN	Continuously variable from 0-51 db
FREQUENCY RESPONSE	30HZ - 15KHZ \pm 1/2 db 20HZ - 20KHZ \pm 1db
DISTORTION	0.2% max.
SIGNAL-TO-NOISE	85db below max. output
INPUT IMPEDANCE	10K
OUTPUT IMPEDANCE	3 ohms
POWER REQUIREMENTS	48VDC @ 55ma max each amp. @ 15ma quiescent each amp.
SIZE	3 1/2 x 5 x 1 thick



NOTE:

I- UNLESS OTHERWISE SPECIFIED
ALL RESISTORS ARE IN OHMS, 1/4 W
ALL CAPACITORS ARE IN MFD.

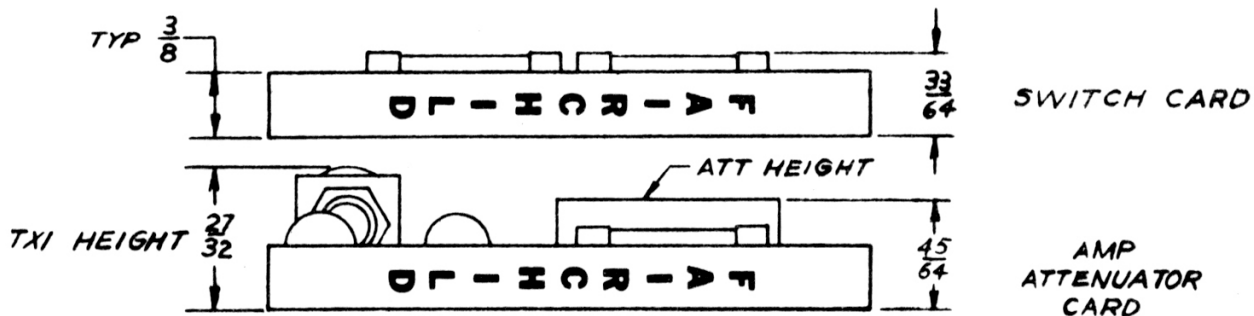
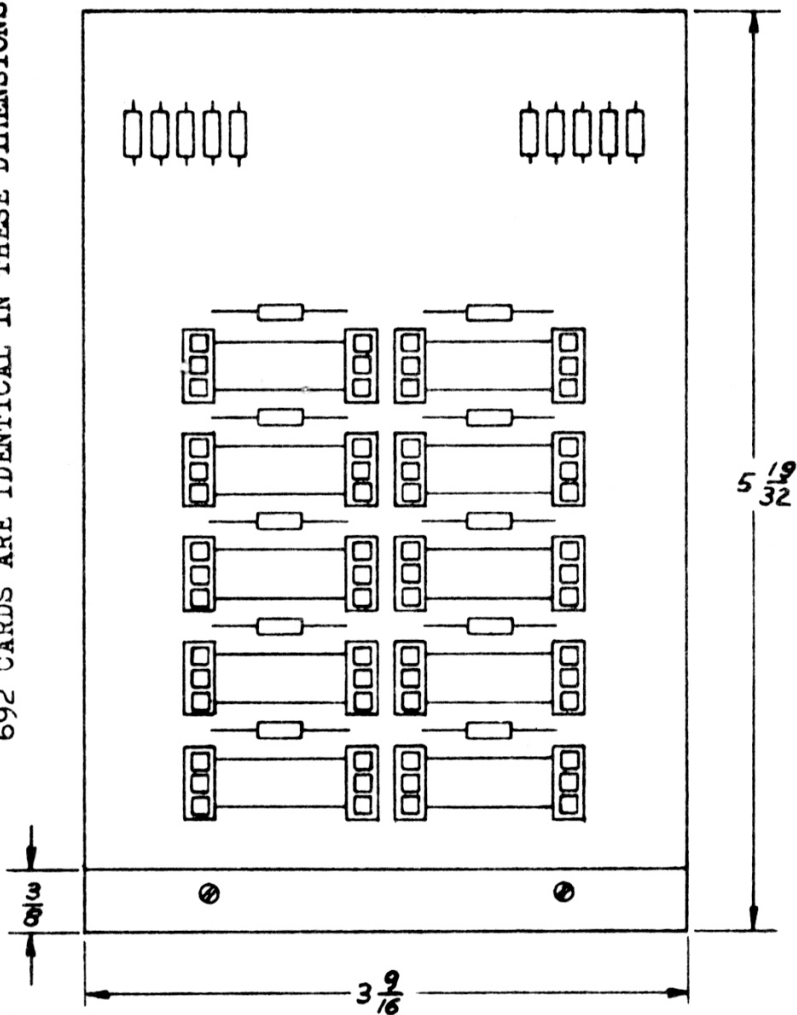
SCHEMATIC DIAGRAM
30 DBM LINE AMPLIFIER
1/2 692 LA-30

B-97164

Handwritten signature
12/18/70

INTEGRA II PC BOARD MOUNTING DIMENSIONS

AUDIO SWITCHER CARD USED AS AN
EXAMPLE FOR LENGTH & WIDTH. ALL
692 CARDS ARE IDENTICAL IN THESE DIMENSIONS.



A-96297