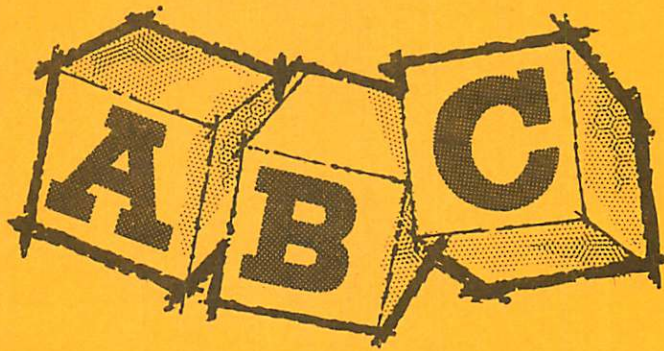
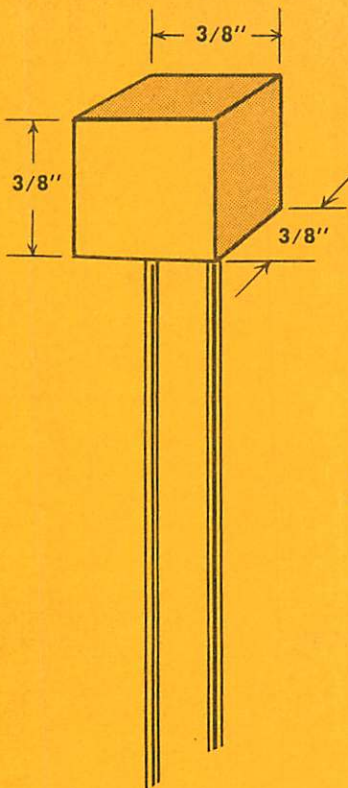


RADIO RECEPTOR



series

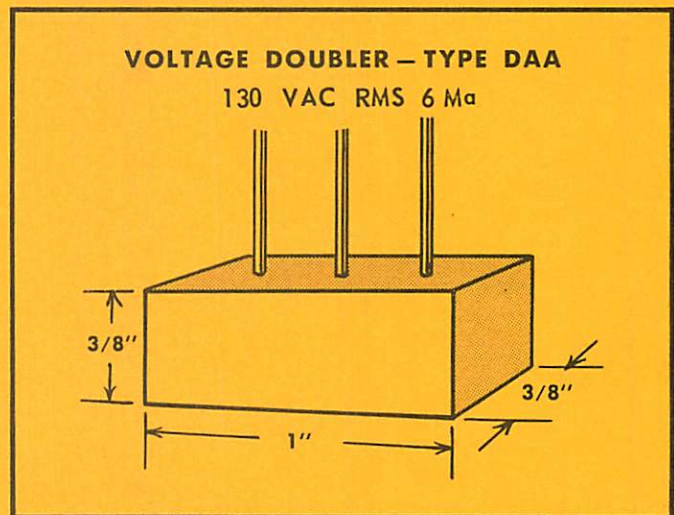
Selenium Rectifiers

type **ABA**

130 Volts* 20 Ma

Low cost, potted selenium rectifiers of this type can be supplied in a wide range of voltages and currents for use in half wave, full wave, single or three phase rectifier circuits. The dimensions are influenced by specific voltage and current requirements. Many different terminal arrangements are available to suit your needs — wire leads coming out axially, radially, etc., make these units suitable for printed wiring boards.

- A SERIES . . . half wave
- B SERIES . . . bridge
- C SERIES . . . center tap
- D SERIES . . . doubler



*130V RMS, 20 Ma w/Resistive Inductive load.

Semiconductor Division
RADIO RECEPTOR COMPANY, INC.

Subsidiary of General Instrument Corporation
240 Wythe Avenue, Brooklyn 11, N. Y. EVergreen 8-6000

GENERAL INSTRUMENT CORPORATION ALSO INCLUDES
AUTOMATIC MANUFACTURING DIVISION • F. W. SICKLES DIVISION
MICAMOLD ELECTRONICS MANUFACTURING CORPORATION (SUBSIDIARY)



General Instrument
Semiconductors