

LANGEVIN

AM4301A
PRE-AMPLIFIER

THE AM4301 PRE-AMPLIFIER IS PRIMARILY INTENDED FOR USE AS A MICROPHONE PRE-AMPLIFIER IN THE 4000 SERIES SYSTEM. IT MAY BE USED AS AN INDIVIDUAL MODULE IN OTHER ASSEMBLIES IF THE INPUT AND OUTPUT PARAMETERS SERVE THE REQUIRED PURPOSE.

The AM4301 Pre-Amplifier is designed for high impedance microphone pre-amplification into a system load of 100K ohms or more. It is constructed on a plug-in printed circuit card and does not contain controls or adjustments.

ELECTRICAL SPECIFICATIONS

SOURCE IMPEDANCE: 100K ohms nominal

GAIN: 33 dbm causes 250 mv/100K ohms out
Change of feedback resistor changes gain:
22K ohms + 3 dbm
51K ohms + 6 dbm
91K ohms + 9 dbm

FREQUENCY RESPONSE: ± 1 db 30 hz to 15 Khz

LOAD IMPEDANCE: 100K ohms nominal

OUTPUT MAX: 5 volts RMS/100K ohms

HARMONIC GENERATION: Less than .2% at 1 Khz

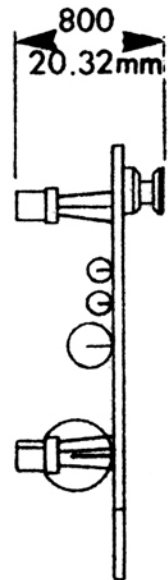
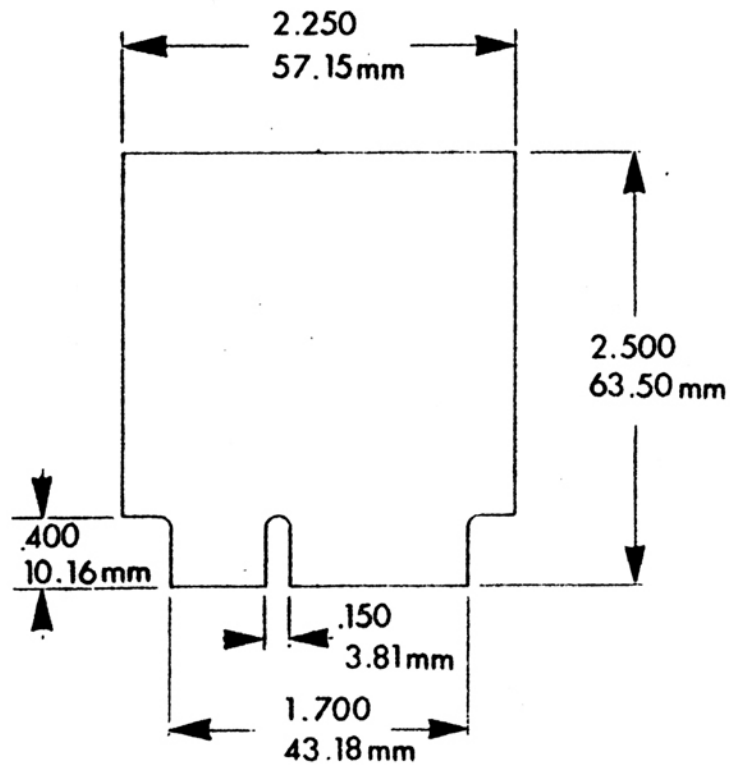
NOISE: 70 microvolts

POWER REQUIREMENTS: 42 volts dc/750 mA

SIZE: 2-1/4" wide X 2-1/2" long

MATING CONNECTOR: Cinch 252-10-30-24D

MOUNTING: The 4301 type amplifier may be mounted in TRY-4000.



4300, 4500 & 4700
 SERIES

