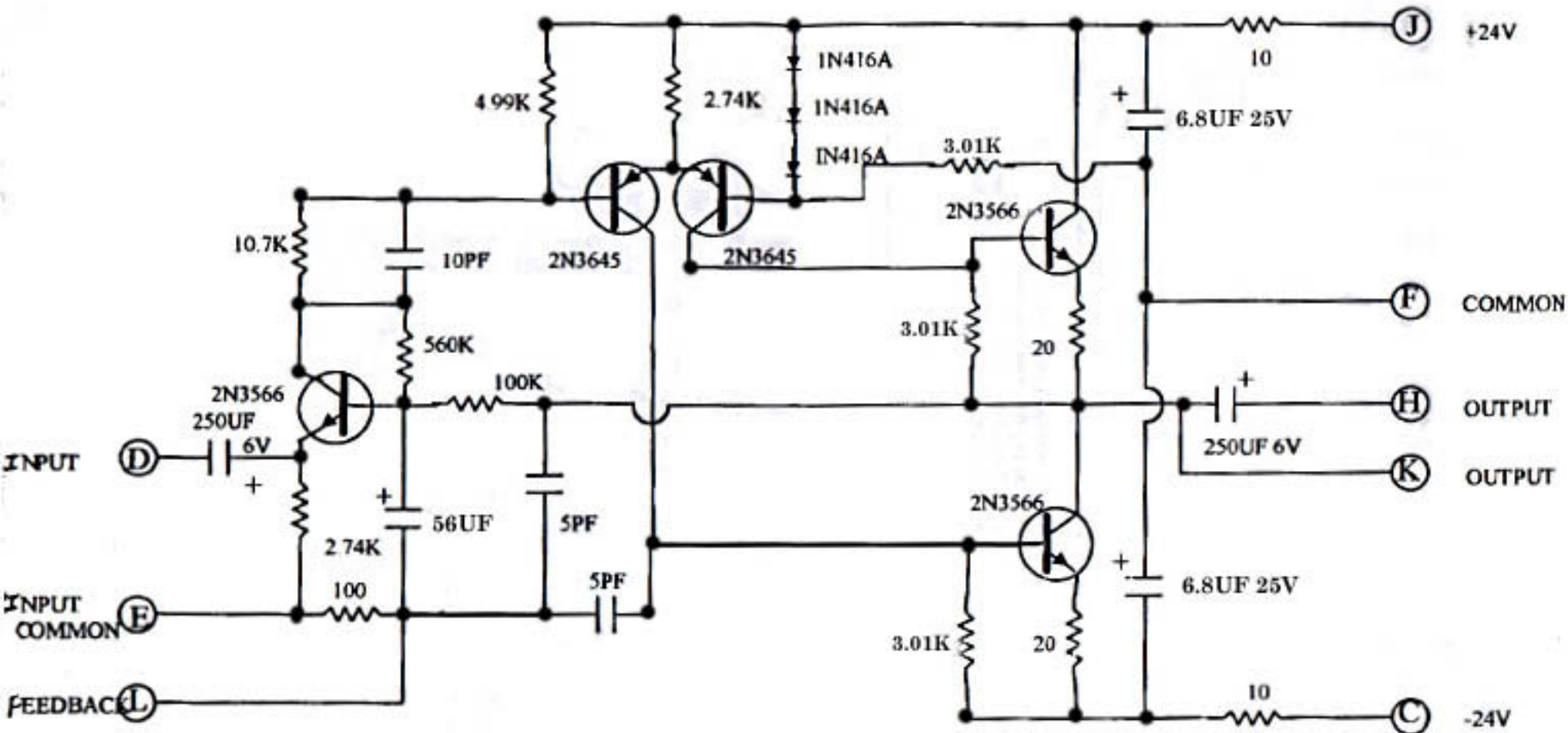


SPECTRA SONICS 110 A AMPLIFIER



FOR GAIN OF 40 DB USE 10.7K BETWEEN H OR K AND L
 FOR GAIN OF 35 DB USE 5.62K BETWEEN H OR K AND L