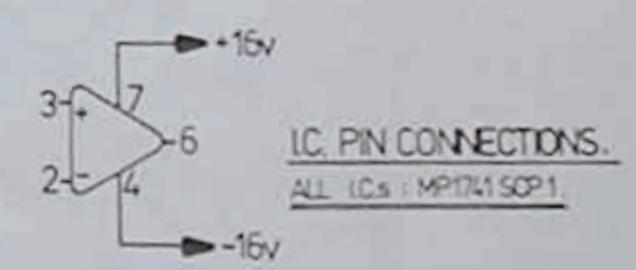
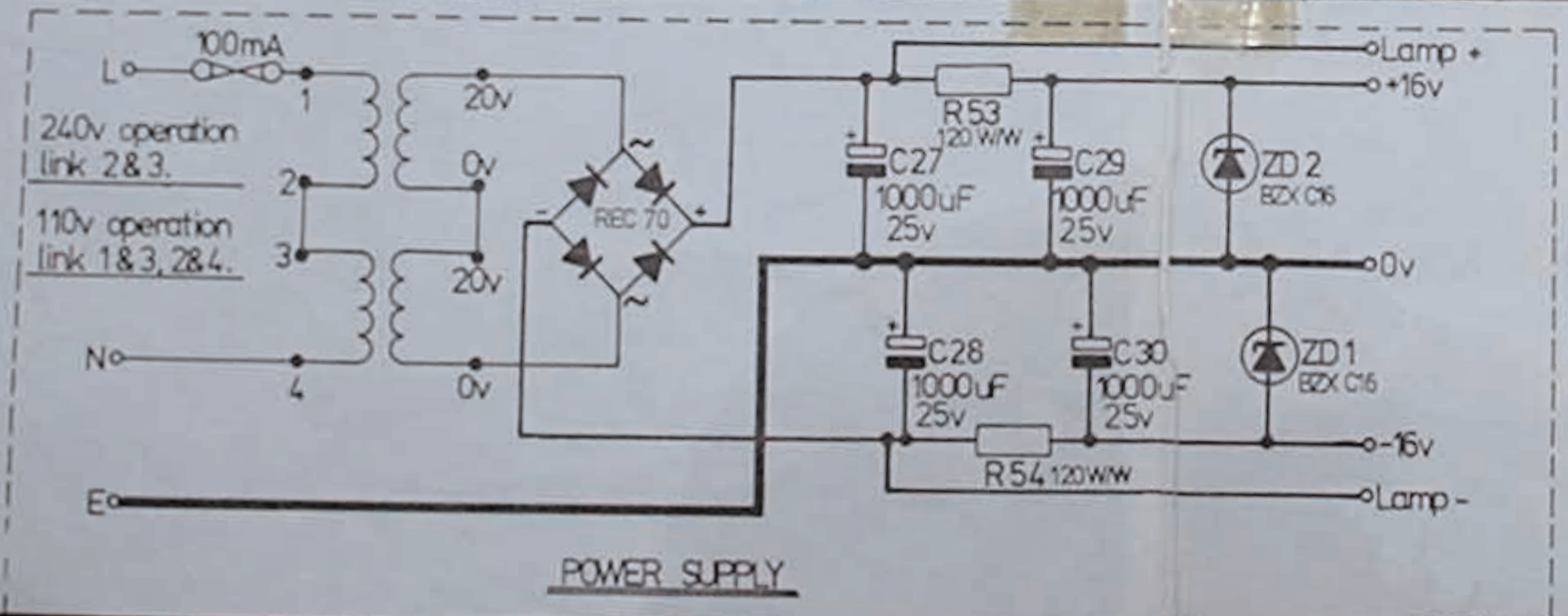
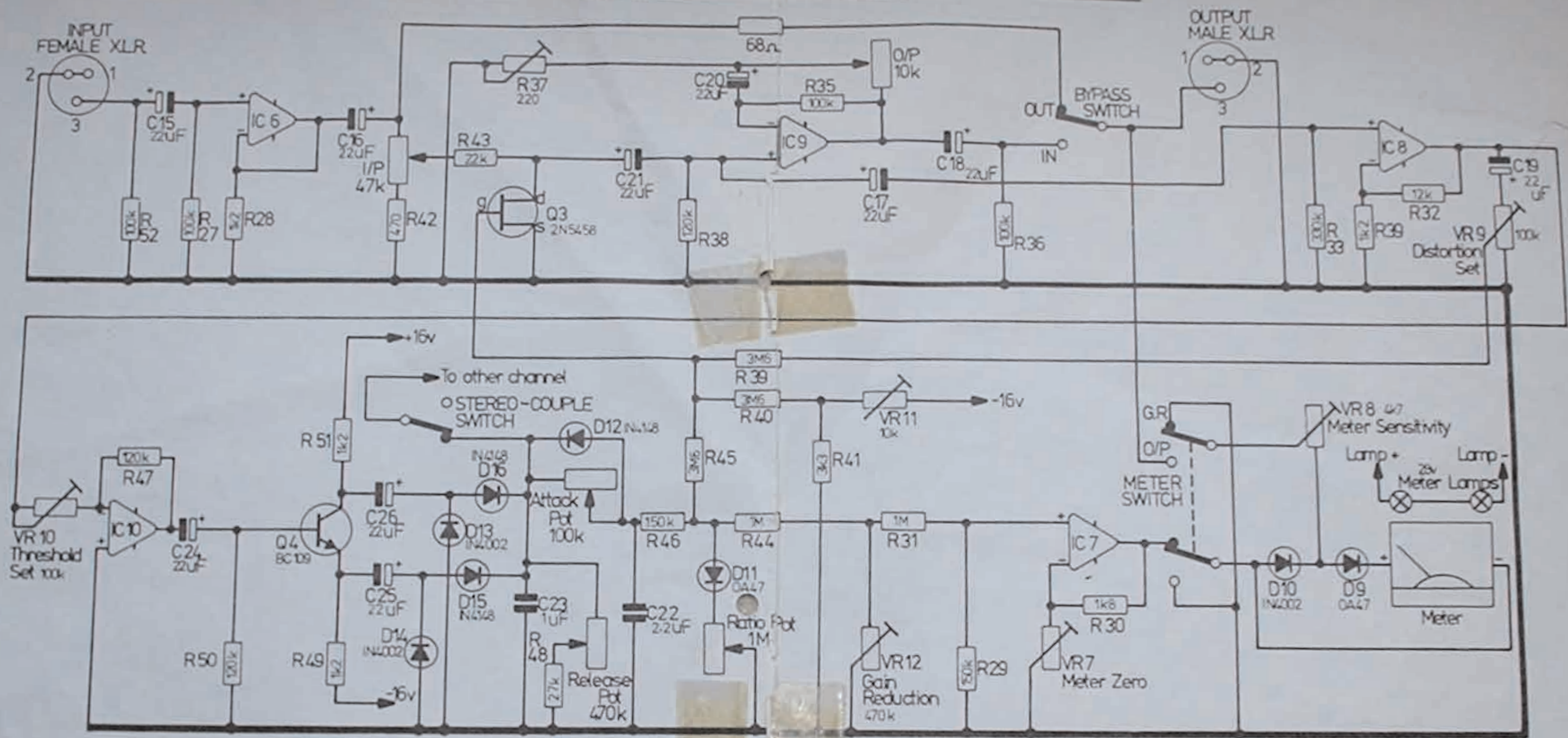


THIS CIRCUIT IS ONE OF TWO CIRCUITS IN THE LIMITER & COMPRESSOR. L/H CHANNEL COMPONENT IDENTIS SHOWN.



TITLE: L LIMITER/COMPRESSOR CCT. DIAG		
DRG. NO: ED 3166		
ISSUE: 2		
DATE: 8, AUG, 79.		
1162	G.R.	8, AUG, 79
MOD. NO.	MOD. BY	DATE
TRIDENT AUDIO DEVELOPMENTS LTD		