

65K PROGRAMMER

PRICES

Complete Analog Programmer

Order Number	Functions	Price	Price(less frame and power)*
65K-A1-16	16	\$3806.00	\$3300.00
65K-A1-32	32	4246.00	3740.00
65K-A1-48	48	4686.00	4180.00
65K-A1-64	64	5126.00	4620.00

*All 65K-A1-XX Programmers are wired for, and have connectors for 64 functions. Add "LFP" to order number to designate Programmer without frame and power supply.

Size = 5¼" x 19" x 12" Rack Mount, Power = 115/230 Volt 50-60 HZ

Expander Package

Order Number	Functions	Price
65K-A2-16	16	\$2200.00
65K-A2-32	32	2600.00
65K-A2-48	48	3000.00
65K-A2-64	64	3400.00
65K-A2-80	80	4500.00
65K-A2-96	96	4900.00
65K-A2-112	112	5300.00
65K-A2-128	128	5600.00
65K-A2-144	144	6700.00
65K-A2-160	160	7100.00
65K-A2-176	176	7500.00
65K-A2-192	192	7900.00

All 65K-A2-XX Expander Packages are wired for, and have connectors for 192 functions.

Size = 5¼" x 19" x 12" Rack Mount, Power = Taken from Programmer



allison research inc
nashville, tennessee
[615] 385-1760

65K PROGRAMMER

PRICES

Cards Only

Order number	Description	Price
D 65K	Decoder	\$660.00
E1-65K	Basic Encoder	550.00
E2-65K	Priority Card	550.00
I/O 65K	Digital In/Out Card	385.00
A I/O 65K	Analog In/Out Adapter	385.00
MB-A1-65K	Motherboard	330.00
MUX-65K	16 function Analog Multi- plex Card	440.00
PS-A1-65K	Power Supply ± 12v @ 5a	176.00
MF-A1-65K	Frame	330.00

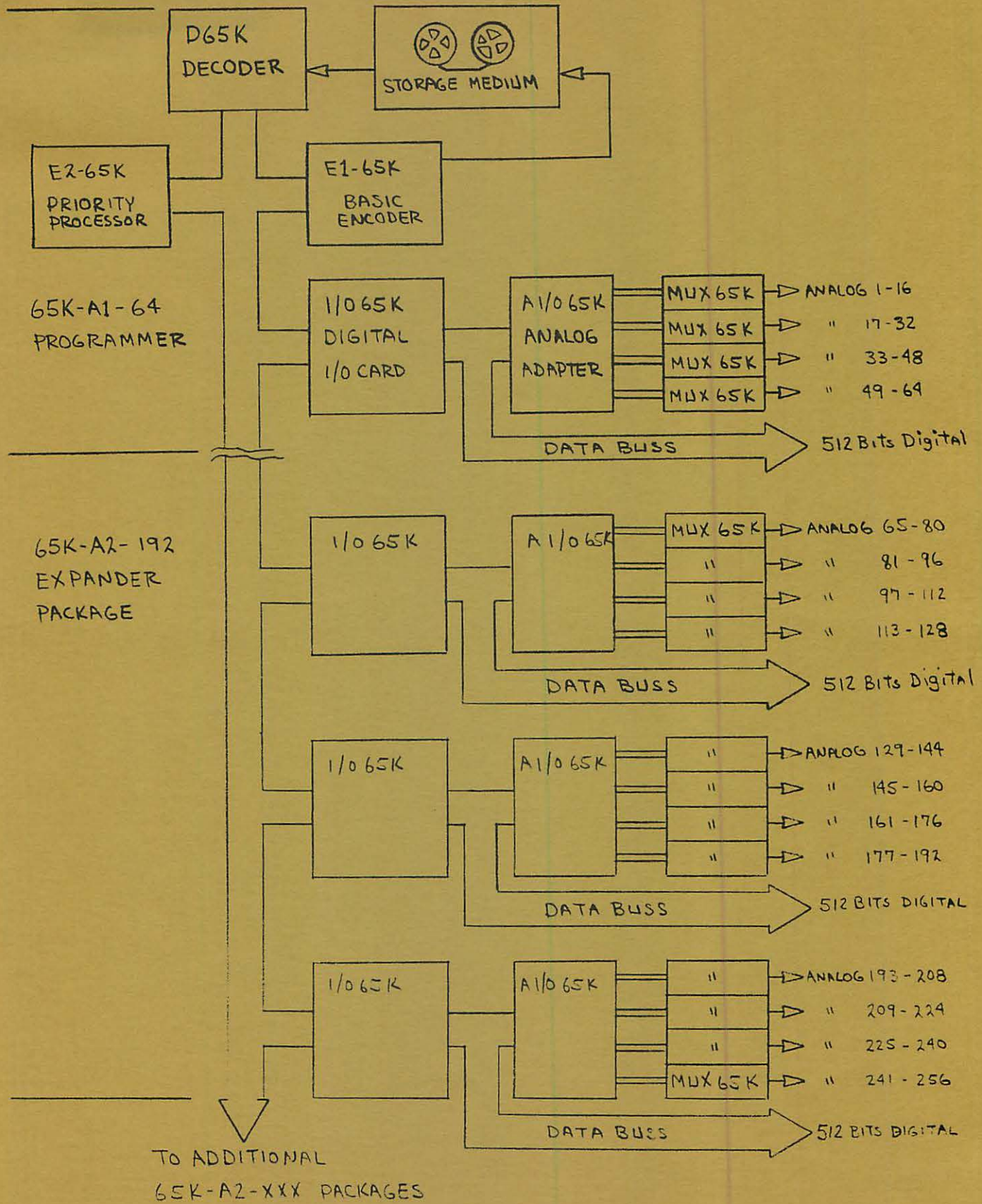
The 65K-A1-XX series is configured for use in programmable audio consoles which employ an analog interface. Capacity of the 65K-A1-XX series is up to 64 analog functions (0 to +5.6v) in increments of 16 functions. Higher function capacity is available by use of the 65K-A2-XX expander package. Each expander package allows an additional 192 analog functions in increments of 16 functions. The 65K Programmer may be expanded to a maximum capacity of 4096 analog functions.

For each analog function employed, an additional 8 bits of digital memory is present and available for use on the system data busses. Access to the digital memory is made by peripheral interface equipment discussed in other literature.

All systems are covered under a 1 year factory warranty which covers repair or replacement of any component, card, or sub-system. The warranty applies only to parts returned to Allison Research, Inc., and makes no provision for in-field service.



allison research inc
nashville, tennessee
[615] 385-1760



BLOCK DIAGRAM 65K PROGRAMMER CONFIGURED FOR 256 ANALOG FUNCTIONS
 ALLISON RESEARCH INC. NOV 1976