

PACER
SLAVE MACHINE INTERFACE DOCUMENTATION
FOR
MCI JH 16/24

DOCUMENTATION RELEASE : 870413

MACHINE INFORMATION

MACHINE TYPE : MCI JH 16/24
REMOTES : NONE TESTED
SLAVE LIMITATIONS : NONE
TIME CODE CHANNEL : ANY
HIGH SPEED CODE : NOT APPLICABLE

MINIMUM PROGRAMMABLE RECORD PERIODS

GOOD TIME CODE : 1 FRAMES
TACH ONLY : 1 SECOND

MACHINE BASIC DATA

COMMAND STRUCTURE:

Commands Inactive : +22V
Commands Active : -15V
Command Input Type : TTL
EDIT/LIFTER Command : NO
SHUTTLE Command : NO
Special Features : NONE

TALLY STRUCTURE:

Tally Inactive : +22V
Tally Active : 0V
Tally Drive : TTL
RECORD Tally ? : YES
RUNOUT Tally ? : NO
EDIT Tally ? : NO
Special Features : NONE

TACH FEATURES:

TACH Format : TACH + DIR
TACH Frequency : 8 Hz at 15 ips
Direction Signal : LOW = FORWARDS, HIGH = REVERSE
TACH Output Drive : TRANSISTOR
TACH Pulse Shape : SQUARE

SERVO FEATURES:

Servo Format : FM
FM Frequency : 19.2 KHz
DC Volts Minimum Speed : NA
DC Volts Nominal Speed : NA
DC Volts Maximum Speed : NA
Varispeed Range (%) : +20%
Servo Input Type : TTL
Ext. Servo Cmd. Inactive : NA
Ext. Servo Cmd. Active : NA
Ext. Servo Cmd. Input Type : TTL
PLL Frequency : 38.4 KHz

MACHINE MODIFICATIONS

: NONE REQUIRED

REMARKS

PROGRAMME DETAILS

The programme for the MCI JH 16/24 is contained in PACER MACHINE EPROM PART NUMBER XPM010, REVISION 2.00.

ATTENTION

As different machine files are contained in alternative machine ROMs do not discard your existing machine ROM when replacing it with the ROM supplied with this kit.

EPROM INSERTION

The machine file EPROM (MACHROM) must be inserted into PACER's main PCB in position IC81. Ensure that the prom orientation is as shown in Figure 1. Incorrect insertion will result in damage to the EPROM.

MACHINE SPECIFIC FILE SELECTION

The required machine file is selected from the MACHROM via the rear panel 16 position HEX switch. The switch setting is confirmed at power up via the time code standard LEDs as follows:

MACHINE	HEX SWITCH POSITION	LED CONFIGURATION			
MCI JH 16/24	9	24	25	29	30
		●	0	0	●

MACHINE SPECIFIC GROUP SELECTION

With Pacer systems which have the extended machine file selection facility (i.e. an 8 position DIL switch located on the rear panel), the DIL switch should be set to the positions shown in Fig. 2.

If your machine does not have the extended Machine Selection Switches then the system should be set up using the Link Configuration diagram supplied with this interface.

NOTE: When using certain types of machines it may be necessary to modify the Link Set Up whether you have extended machine file section or not. A list of these machines is on Appendix A.

MACHINE SPECIFIC COMMANDS & TALLIES

If your Pacer does not have the extended machine file selection facility as shown on Fig. 2, or is a machine listed in Appendix 'A' the specific COMMAND and TALLY structure is selected via PACER main PCB LINKs, See A4/QP/SPD240/030

MACHINE SPECIFIC SERVO SELECTION

If your Pacer does not have the extended machine file selection facility (Fig 2), the required machine specific SERVO is selected via PACER main PCB LINKs, See A4/QP/SPD240/030.

MACHINE FILE
SELECTION SWITCHES

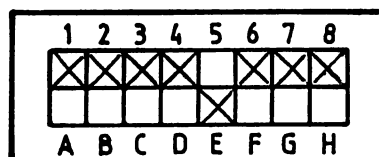


FIGURE 2

APPENDIX A

If this interface is or this Pacer System was previously configured for one of the following machines the Link set up should be checked with the Link configuration diagram supplied with this interface.

Machines which have Command/Talley Links in a different position to standard.

(Pacer Interface SPK 640) Soundcraft 760.

(Pacer Interface SPK 500) Revox PR99.

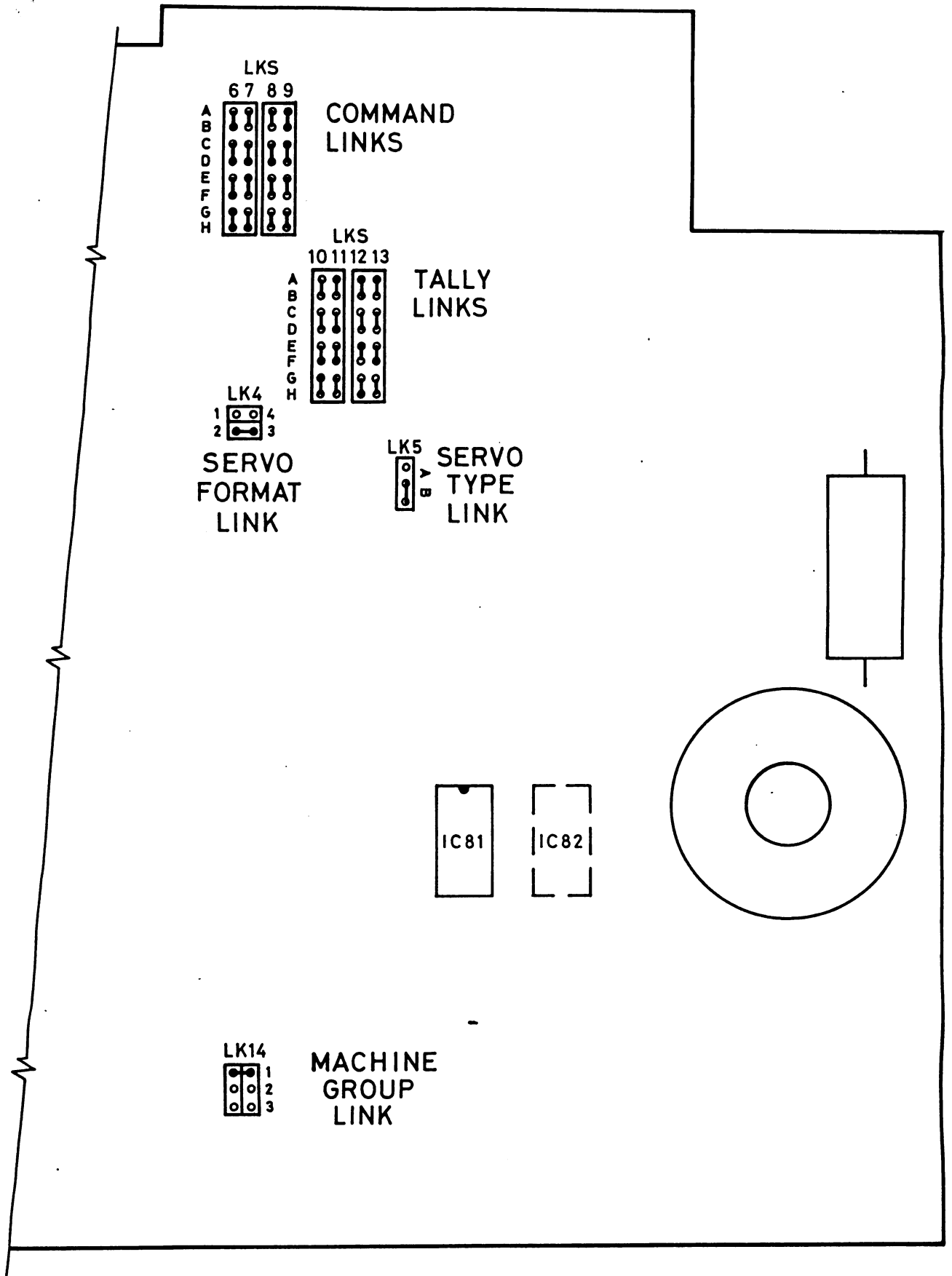


Figure 1

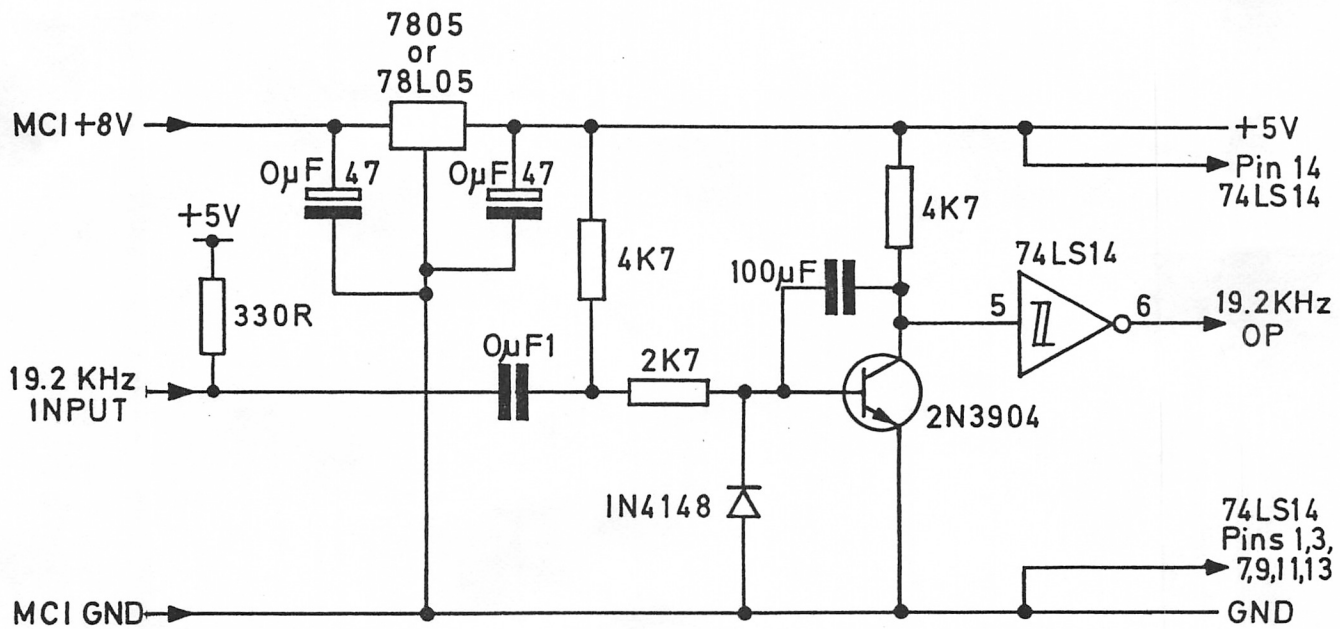
MODIFICATION	ISSUE	DATE	DRAWN	CHECKED	DRAWING NO.
	1	1.8.86	JMW		A4/QP/SPD240/030

©Copyright



AUDIO KINETICS (UK) LIMITED
 Kinetic Centre
 Theobald Street
 Borehamwood
 Hertfordshire WD6 4PJ
 England
 Telephone Number 01 953 8118

TITLE
 PACER MACHINE SPECIFIC
 LINK CONFIGURATION FOR
 MCI JH 16/24



MODIFICATION	ISSUE	DATE	DRAWN	CHECKED	DRAWING NO.
	RELEASE ORDER 18	2	12.8.83	JMW	A4/PI/ACR040/013



AUDIO KINETICS (UK) LIMITED
 Kinetic Centre
 Theobald Street
 Borehamwood
 Hertfordshire WD6 4PJ
 England
 Telephone Number 01 953 8118

TITLE

19.2KHz PULSE SHAPING BOARD
 CIRCUIT DIAGRAM

© Copyright

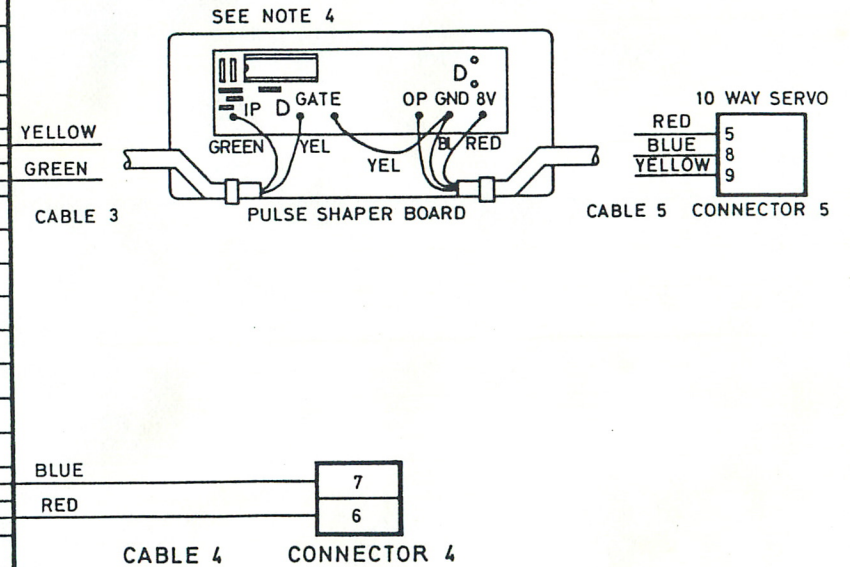
PACER SLAVE

FUNCTION		COLOUR
SERVO OUTPUT	1	RED
SERVO REF	2	BLUE
SERVO IN	3	GREEN *
PLAY?	4	YELLOW
STOP?	5	WHITE
RECORD?	6	BLACK
FORWARD?	7	BROWN
REWIND?	8	VIOLET
PAUSE?	9	ORANGE *
RUNOUT?	10	PINK *
TALLY REF	11	TURQUOISE
PACER +5V	12	GREY
PACER 0V	13	RED/BLUE *
EXT SERVO!	14	GREEN/RED *
LIFTER DEFEAT!	15	YELLOW/RED *
PLAY!	16	WHITE/RED
STOP!	17	RED/BLACK
RECORD!	18	RED/BROWN
FORWARD!	19	YELLOW/BLUE
REWIND!	20	WHITE/BLUE
PAUSE/EDIT!	21	BLUE/BLACK * SEE NOTE 1
COMMAND REF	22	ORANGE/BLUE
TACH B or DIR	23	YELLOW/GREEN
TACH A	24	WHITE/GREEN
TACH REF	25	ORANGE/GREEN
SCREEN		

REMOTE PLUG		REMOTE SOCKET
23	RED	23
19	GREEN	19
7		7
6		6
8		8
5		5
4	ORANGE	4
3		3
2		2
	** SEE NOTE 2	
	** SEE NOTE 2	
12	NOTE 3 WHITE/RED	12
11	NOTE 3 RED/BLACK	11
13	NOTE 3 RED/BROWN	13
10	NOTE 3 YELLOW/BLUE	10
9	NOTE 3 WHITE/BLUE	9
21	TURQUOISE	21
1	** SEE NOTE 2	1
	** SEE NOTE 2	
20	RED/BLUE	20
24		24

NOTES:

1. REMOVE * WIRES FROM 25 WAY 'D' CONNECTOR AT PACER END.
2. CABLE 2 IS SPUR FROM CONNECTOR 2 & DOES NOT INCLUDE WIRES MARKED **.
3. FIVE DIODES MOUNTED INSIDE CONNECTOR 3 TO BE 1N4148. THESE CONNECTIONS ARE TIED BACK, TO BE CONNECTED AT CUSTOMERS DISCRETION.
4. FIT A 330R RESISTOR BETWEEN IP PIN & 74LS14 PIN 14.



CONNECTOR 1

CABLE 1 CONNECTOR 2

CABLE 2

CONNECTOR 3

CONNECTOR SPECIFICATION	No. of WAYS	TYPE	LOCKING	CABLE SPECIFICATION	No. of WAYS	LENGTH
CONNECTOR 1	25	'D' PLUG	SCREW	CABLE 1	25	6m
CONNECTOR 2	24	BEAU PLUG		CABLE 2	25	15cm
CONNECTOR 3	24	BEAU SOCKET		CABLE 3	4+SC	50cm
CONNECTOR 4	12	BEAU PLUG		CABLE 4	4+SC	50cm
CONNECTOR 5	10	BEAU PLUG		CABLE 5	4+SC	20cm



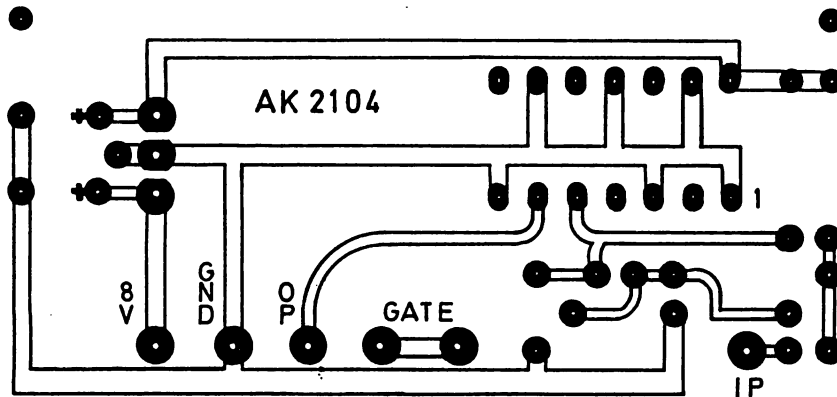
AUDIO KINETICS (UK) LIMITED
Kinetic Centre
Theobald Street
Borehamwood
Hertfordshire WD6 4PJ
England
Telephone Number 01 953 8118

This drawing is the copyright of Audio Kinetics (UK) Limited and must not be copied or reproduced without our written permission.

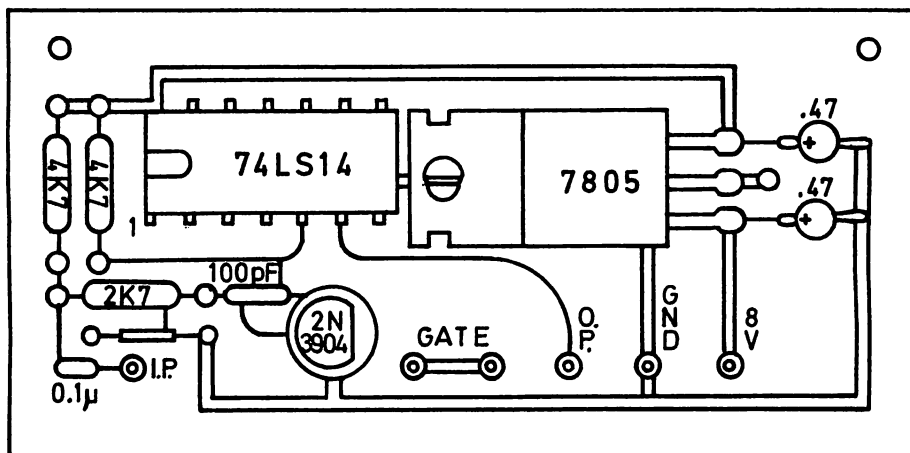
MOD. No.	ISSUE	DATE	MOD. No.	ISSUE	DATE
			1		10/9/86

TITLE
PACER SLAVE CABLE FOR
MCI JH 16/24 WITH
REMOTE CONTROL UNIT

CERT'D.	CHECKED	DRAWN
		JMW
DRAWING No. A3/QP/SPC240/011		



A LINK IS PROVIDED FOR THE GATE SIGNAL. INPUT & OUTPUT FOR 19.2KHz ARE MARKED, OUTPUT GOES TO 10 PIN PLUG. +8V IS DRAWN FROM 10 WAY PLUG PIN 5, & GROUND IS DRAWN FROM PIN 8.



MODIFICATION	ISSUE	DATE	DRAWN	CHECKED	DRAWING NO.
	A	12.8.83	JMW		A4/PI/ACR040/022

TITLE

©Copyright



AUDIO KINETICS (UK) LIMITED
 Kinetic Centre
 Theobald Street
 Borehamwood
 Hertfordshire WD6 4PJ
 England
 Telephone Number 01 953 8118

**19.2 KHz PULSE SHAPING BOARD
 ASSEMBLY DIAGRAM**