



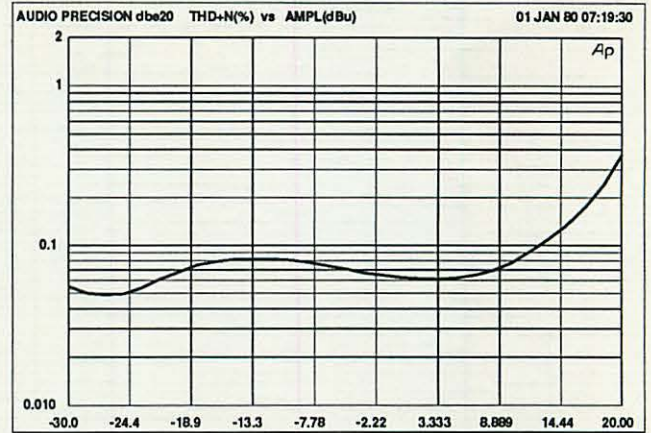
BAUER COMMUNICATIONS, INC.

PRECISION TRANSFORMERS
By Reichenbach Engineering

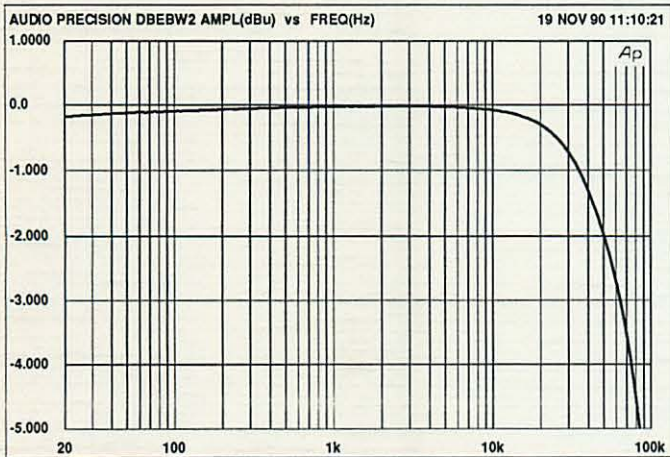
DI
20K : 150
+19.0dBu

RE-DB-E

DIRECT BOX TRANSFORMER



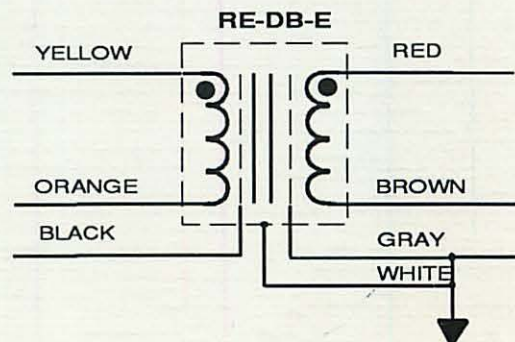
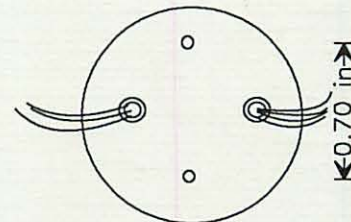
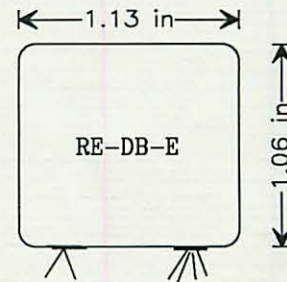
RE-DB-E 20Hz DISTORTION



RE-DB-E MAGNITUDE RESPONSE

- **Impedance Ratio:** 20K ohms to 150 ohms
- **Turns Ratio:** 12 : 1
- **20Hz Max Input Level:** +19.0 dBu
- **Bandwidth (-3db point):** 65 kHz
- **Magnetic Shield:** 30db case with separate lead (White)
- **Faraday Shield:** 2 with separate leads, (Black) Primary, (Grey) Secondary.
- **Recommended Load:** 1K ohms
- **Recommended RC network:** None

NOTE: All transformers formerly sold under the *Jensen Transformers* name are the design and manufacture of Reichenbach Engineering. Specifications subject to change without notice or obligation.

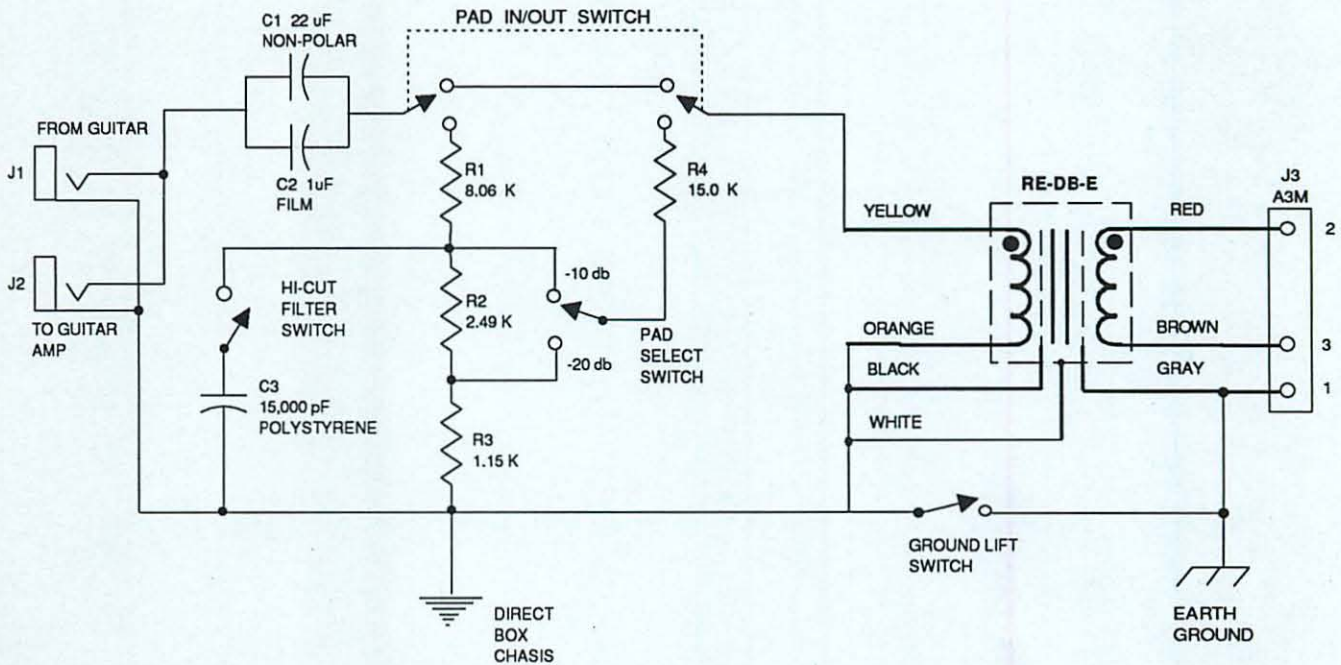




BAUER COMMUNICATIONS, INC.

PRECISION TRANSFORMERS

By Reichenbach Engineering



HOOK-UP DIAGRAM FOR THE RE-DB-E

Please note pin #1 of the microphone output is the shield. For your protection connect this point to earth ground. Please obey all local wiring codes. Pin #2 is "HI" relative to pin #3 conforming to the IEC standard for polarity.

C1 is a Roederstein EKV non-polar aluminum electrolytic

C2 is polypropylene film capacitor to provide a High Frequency transient path around C1

C3 is a polystyrene film capacitor whose value may be optimised for different high frequency rolloff.

NOTE hi-cut filter only works with pad in circuit. The pad circuit is for use with synthesizers, guitar amp outputs, or other high level outputs.

R1 -R4 are Roederstein MK-2 1% metal film resistors.

J1-J2 are Switchcraft 1/4" phone chassis jacks. J3 is a switchcraft A3M or equivalent.

C1-R4 are available from BCI.

©1991 BCI

6887 Farndale Avenue, Bldg. 12, North Hollywood, California 91605
(800) 627-7277 (818) 891-9983 FAX (818) 894-0715