



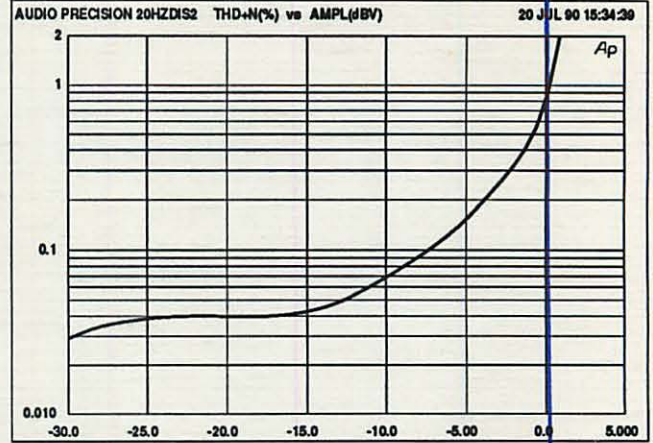
BAUER COMMUNICATIONS, INC.

PRECISION TRANSFORMERS

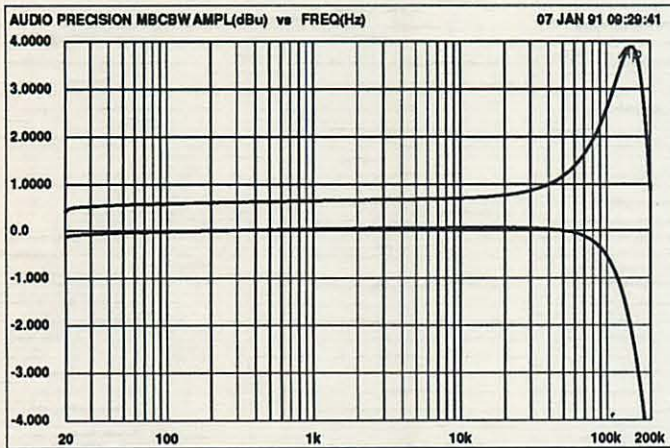
By Reichenbach Engineering

MIC
150:150 bridge
+1.0 dBu

RE-MB-C RE-MB-CSC MICROPHONE BRIDGING TRANSFORMER



RE-MB-C/CSC 20Hz DISTORTION

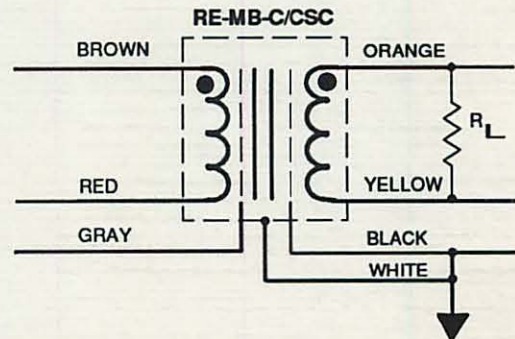
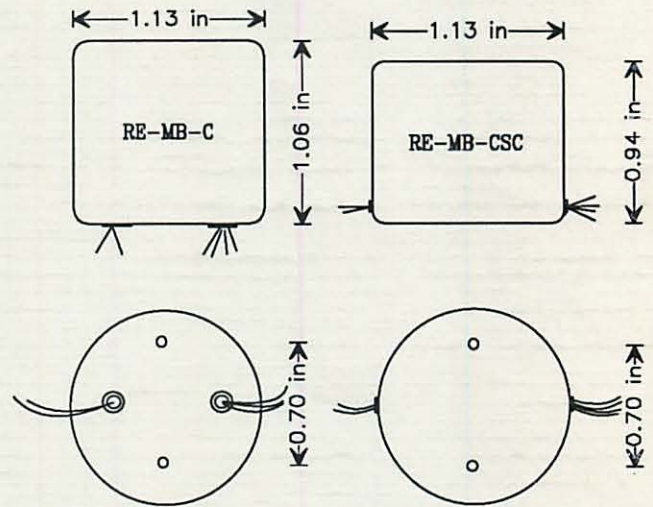


RE-MB-C/CSC MAGNITUDE RESPONSE

Upper trace shows output of an MB-C when loaded by a 100K input device, paralleled by a 5K resistor. Lower trace shows when paralleled by a 2K or lower resistor.

- **Impedance Ratio:** 150 ohms to 150 ohms
- **Turns Ratio:** 1:1
- **20Hz Max Input Level:** +1.0 dBu
- **Bandwidth (-3db point):** 150 kHz
- **Magnetic Shield:** 30db case with separate lead (white)
- **Faraday Shield:** 2 with separate leads, (Grey) Primary, (Black) Secondary.
- **Recommended Load:** 1K to 2K ohms

NOTE: All transformers formerly sold under the *Jensen Transformers* name are the design and manufacture of **Reichenbach Engineering**.
Specifications subject to change without notice or obligation.



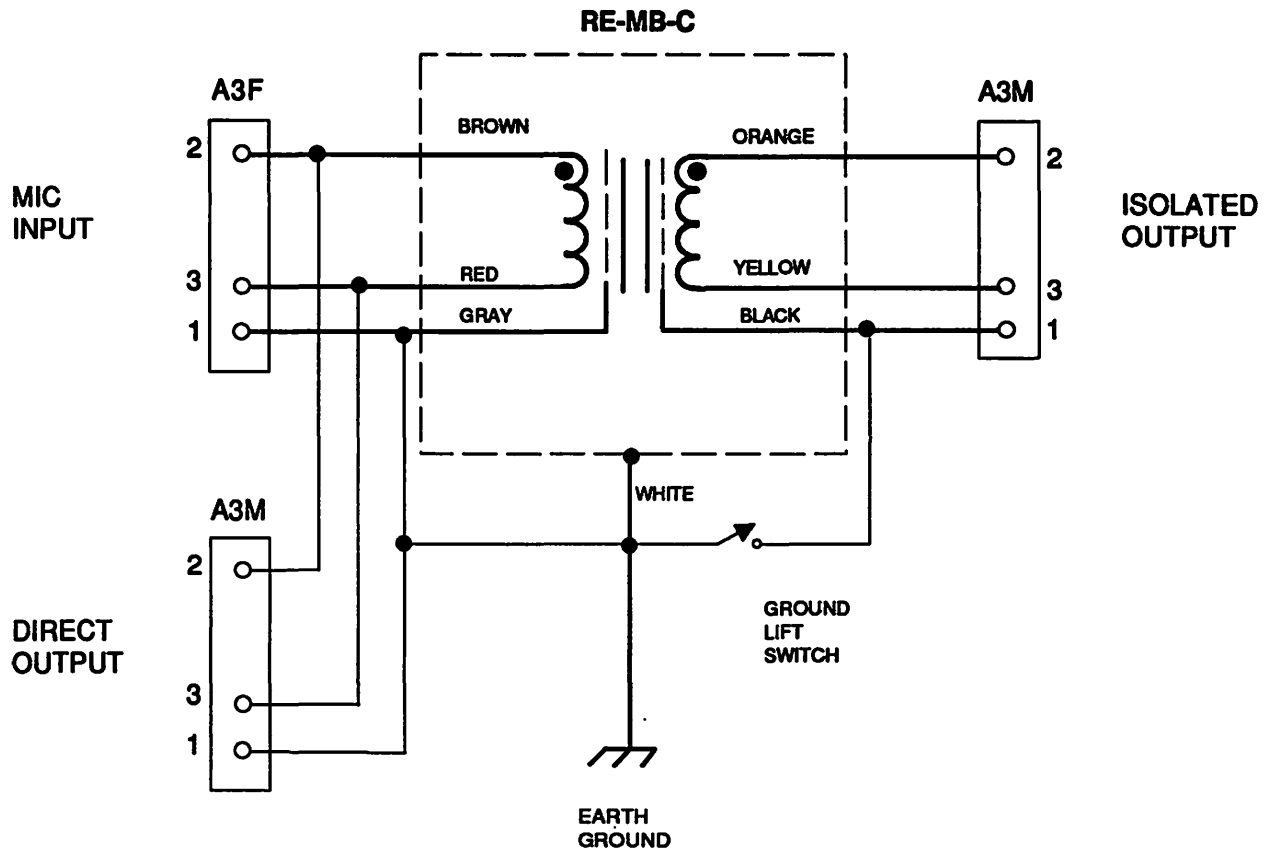
©1991 BCI



BAUER COMMUNICATIONS, INC.

PRECISION TRANSFORMERS

By Reichenbach Engineering



HOOK-UP DIAGRAM FOR THE RE-MB-C

Please note pin #1 of the microphone input is the shield. This is also the microphone case and the phantom power ground reference. For your protection connect this point to earth ground. Please obey all local wiring codes.

Phantom power is provided by the mixer which terminates the microphone directly via the direct output.