



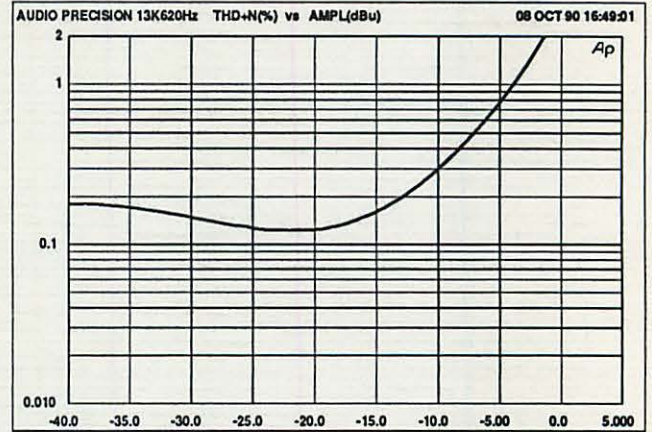
BAUER COMMUNICATIONS, INC.

PRECISION TRANSFORMERS
By Reichenbach Engineering

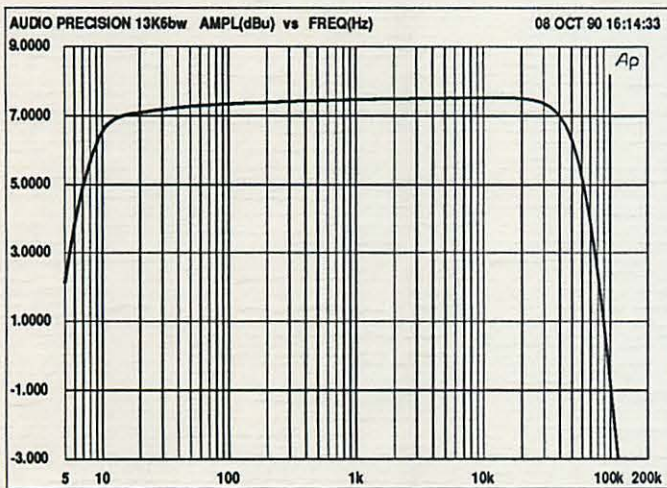
MIC input
150:3750
-2.5dBu

RE-13K6-C

MICROPHONE INPUT TRANSFORMER



RE-13K6-C 20Hz DISTORTION

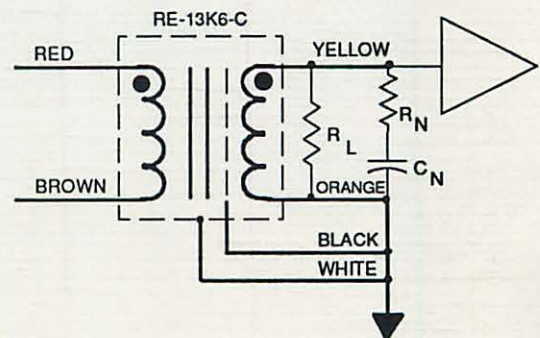
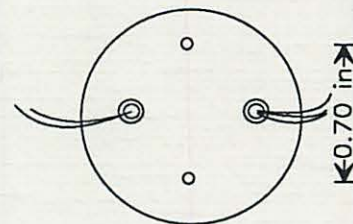
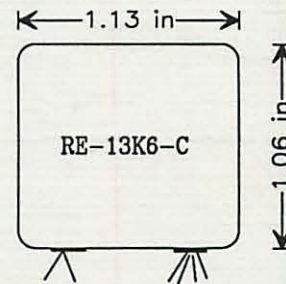


RE-13K6-C MAGNITUDE RESPONSE

- **Impedance Ratio:** 150 ohms to 3750 ohms
- **Turns Ratio:** 1:5
- **20Hz Max Input Level:** -2.5 dBu
- **Bandwidth (-3db point):** >60 kHz
- **Magnetic Shield:** 30db case with separate lead (white)
- **Faraday Shield:** 1 with separate lead (Black)
- **Recommended Load:** 39K ohms
- **Recommended RC network:** 12.1K + 270pf

NOTE: All transformers formerly sold under the *Jensen Transformers* name are the design and manufacture of Reichenbach Engineering.

Specifications subject to change without notice or obligation.



©1991 BCI