

R M



RM 68 Noise Gate

- 150 nano second Attack Time
- - 96 Dbm Output Noise
- .05% Distortion
- - 56 Dbm Maximum Input Sensitivity
- Keying Input
- 2 LED's Red (Gating) Green (Non-Gating)
- Price \$105.00

The RM 68 Noise Gate establishes a new standard for noise gates. Improvements have been made in respect of electrical performance, engineering design and quality of construction to produce a unit which has an overall specification that is unmatched.

The Attack Time is 150 nano secs. This incredibly short time means that the unit under all types of signals will positively not produce any clicks or any form of degradation to the signal being gated. It is so fast that even on the most transient type of signal it is impossible to hear a difference in sound. This one feature has enabled the RM 68 to be used in situations where previously a noise gate could not be used as they acted too slowly.

The Sensitivity, Attenuation and Release controls are optimised to give the utmost operational flexibility and ease of use. The sensitivity control having a maximum sensitivity of -56Dbm, essential for gating out tape hiss etc. The release time is variable over a wide range enabling envelope shaping, automatic fades etc to be produced. A keying input is also provided to enable an external audio input to control the unit with 2 LED's positively showing the operational state.

The modular design makes installation simple as everything needed except the power supply is contained on the PC Card. An attractive rack mounted card frame is available to house up to 16 units.

Technical Specifications

Attack Time. 150 nano seconds (0.15 microseconds)

Release Time. Adjustable from 30ms to 5secs

Attenuation Range. Adjustable from Odb to 30db

Input Sensitivity. Adjustable from - 56Dbm to +20Dbm

Output Noise -96Dbm

Input Impedance. Greater than 8000 ohms

Distortion. .05% under normal operating conditions

Frequency Response. ± 1 db 20Hz-50Khz

Insertion Loss. Odb

Output. +18Dbm (600 ohms)

Power Requirements. +24 Volts DC @ 40ma

Dimensions. 1.0 x 4.5 Front Panel 7.6 Overall Depth

Auxiliary Input. Keying Input has same sensitivity as input and is controlled by the SEN control.

Price. \$105.00 F.O.B. N.Y., N.Y.

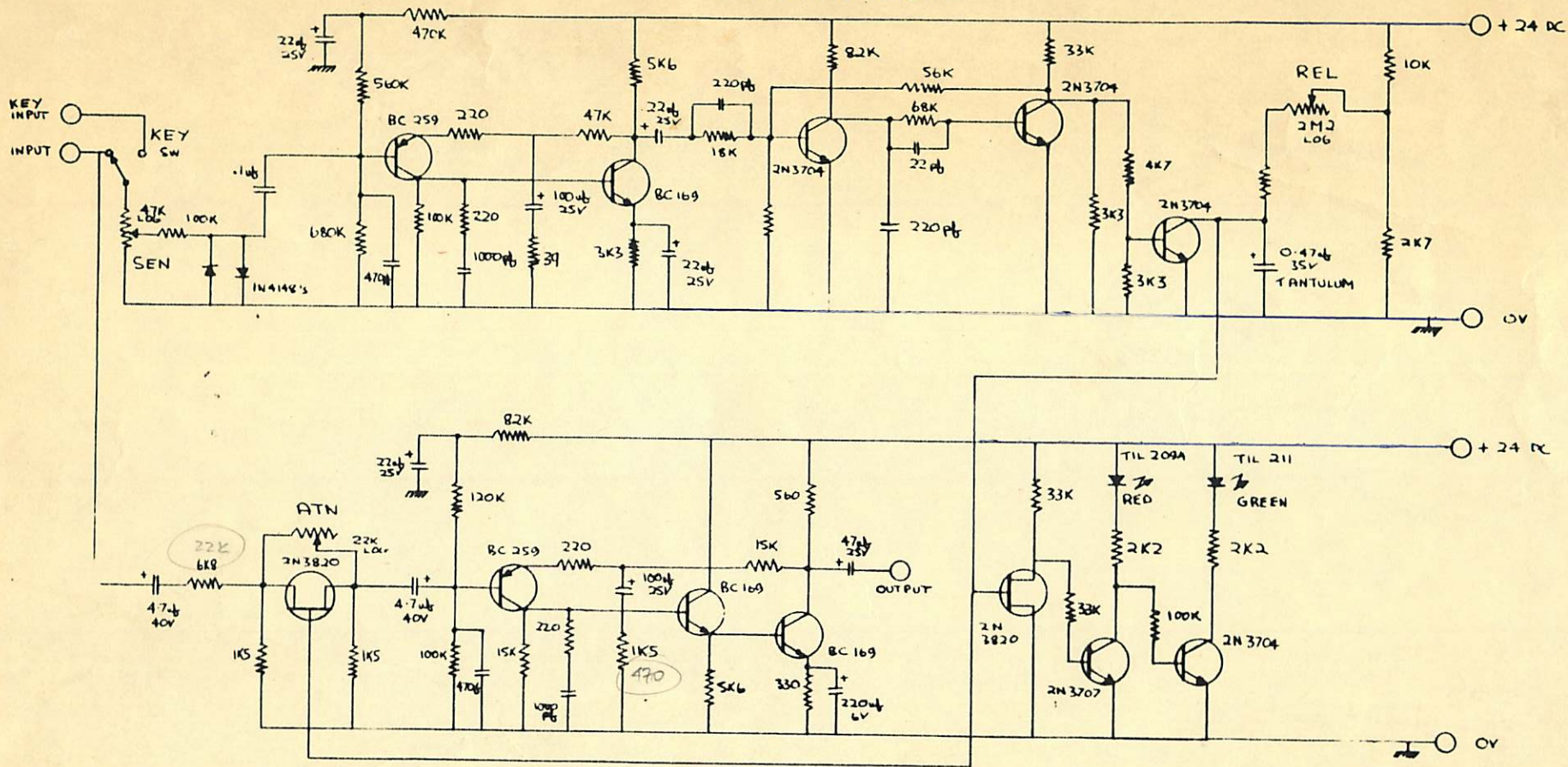
Accessories. RM 68 Card Rack. Designed to house up to 16 units.
Includes all connectors. External power supply is needed.

Price \$175.00

Available from: -

RM

RM 68 Noise Gate



Mfg. By ROGER MAYER ELECTRONICS INC. 226 EAST 57th ST. NEW YORK, N.Y. 10022 (212) 486-1544

-15.3dB →

→ +16.67dB

→ -24.4dB →

+36.67 c/s
-20.010 F.B